

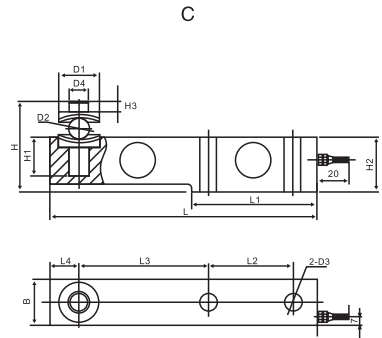
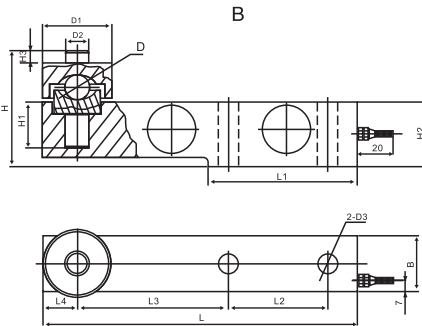
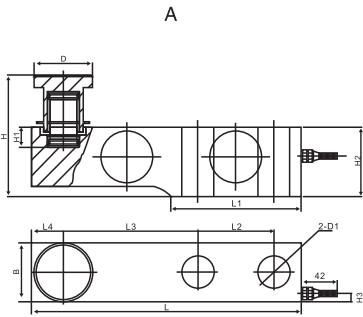
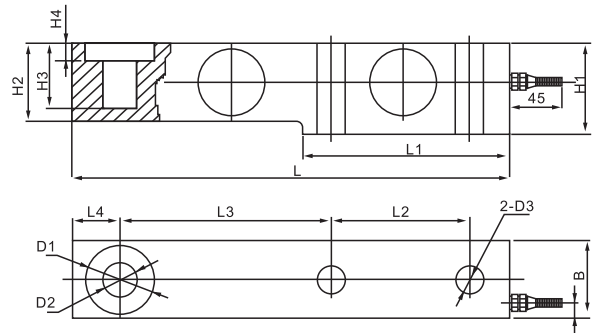
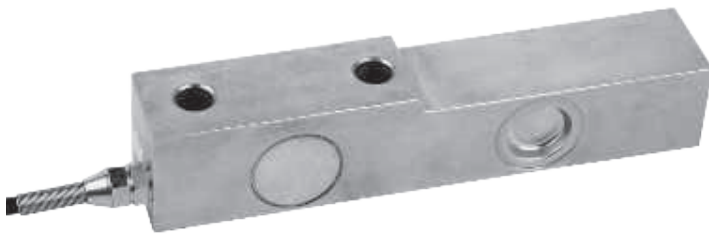


SB/SB-A/-SS/ASS Loadcell

SB/SB-A/-SS/ASS



Rated Load(t)	L	L1	L2	L3	L4	H1	H2/B	B1	H3	H4	D1	D2	D3
0.3,0.5,1,2,3	203	95	64	98	22	43	36.6	7	30.5	8	φ32	φ16	φ13
5.7,5.8	235	110	66	124	22	52	48	7	30	12	φ38	φ22	φ21
10	279	133	82	140	32	67	60	8.5	20	8.5	φ48	φ32	φ28
15,20,25	318	153	89	159	38	82.5	70	9.5	24	9.5	φ54	φ38	φ34



A

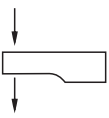
Rated Load (t)	Size (mm)											
	L	L1	L2	L3	L4	B	H	H1	H2	H3	D	D1
0.3,0.5,1,2,3	203	95	64	98	22	36.6	58	30.5	43	7	φ35	φ13
5.7,5.8	235	110	66	124	22	48	81	30	52	7	φ42	φ21
10	279	133	82	140	32	60	128	20	67	8.5	φ57	φ28
15,20,25	318	153	89	159	38	70	144	24	82.5	9.5	φ70	φ34

B

Rated Load (t)	Size (mm)													
	L	L1	L2	L3	L4	B	H	H1	H2	H3	D	D1	D2	D3
0.3,0.5,1,2,3	203	95	64	98	22	36.6	79	30.5	43	9	φ16	φ45	φ15	φ13
5.7,5.8	235	110	66	124	22	48	104	30	52	10	φ25	φ52	φ21	φ21

C

Rated Load (t)	Size (mm)													
	L	L1	L2	L3	L4	B	H	H1	H2	H3	D1	D2	D3	D4
0.3,0.5,1,2,3	203	95	64	98	22	36.6	68.5	30.5	43	8.5	φ30	φ16	φ13	φ15.5
5.7,5.8	235	110	66	124	22	48	102	30	52	10	φ37	φ25	φ21	φ21.5



Truck scale,platform scale,blending scale,every kinds of scale

TECHNICAL PARAMETER | OAP version 4Wires:Exc+(Blue);Exc-(Black);Sig+(White);Sig-(Red)

Rated capacities(Emax)	0.3,0.5,1,2,3,5,7.5, 8,10,15,20,25t	Temperature range, compensated	-10°C~+40°C
Sensitivity	2.0±0.002mV/V	Temperature range, operating	-30°C~+70°C
Accuracy class	C2~C5	Maximum safe overload	150%F.S;120%F.S(20~25t)
		Ultimate overload	250%F.S;200%F.S(20~25t)
Zero balance	±1%F.S	Excitation,recommended	10~12V DC
TC ZERO	±0.02%F.S/10°C	Excitation,maximum	15V DC
TC SPAN	±0.02%F.S/10°C	Protection class	IP67(0.3~0.5t);IP68(1~25t)
Input resistance	400±20Ω	Construction	Alloy Steel Stainless Steel
Output resistance	352±3Ω	Cable Length:	2.6m(0.3~2t);3.5m(3t);5.2m(5~8t);7m(10t);12m(15~25t)
Insulation resistance	≥5000MΩ	Diameter:	φ5mm(0.3~8t) φ6mm(10~25t);(0.3~25t)